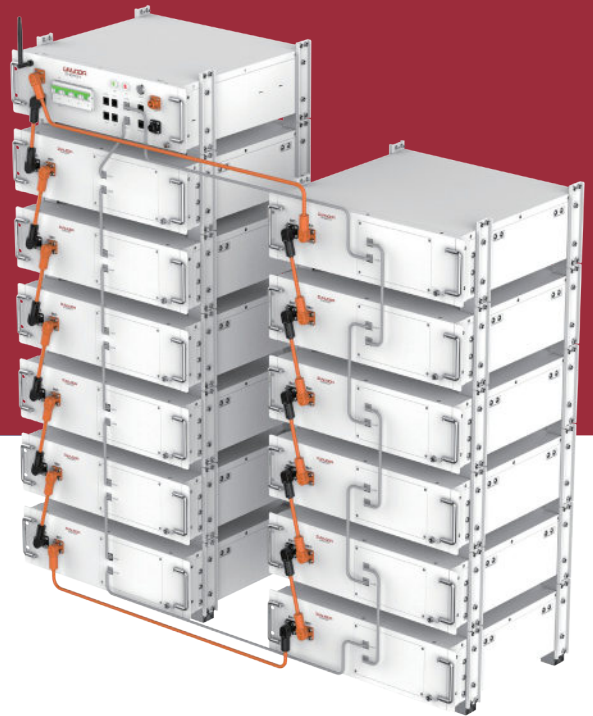


C&I Battery Rack-S



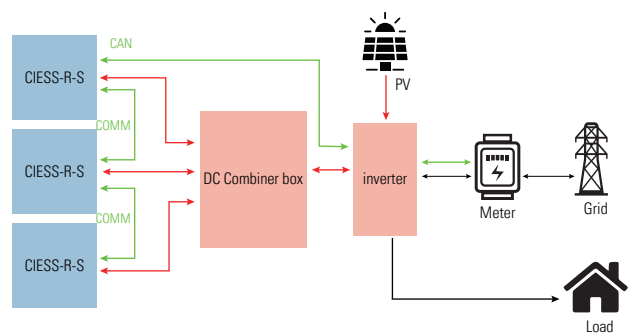
FEATURES

- Easy to install and deploy with large space utilization;
- Unique modular design & flexible function configuration;
- Real time monitoring , remote maintenance and upgrades;
- Strong scalability, simple & convenient expansion on DC sides;

EXPANSION



Expansion in DC side



Topology

SPECIFICATION

System Model	CIESS25-R-S	CIESS30-R-S	CIESS35-R-S	CIESS40-R-S	CIESS45-R-S	CIESS50-R-S	CIESS55-R-S	CIESS60-R-S
Number of battery packs	5	6	7	8	9	10	11	12
Rated voltage	256V	307.2V	358.4V	409.6V	460.8V	512V	563.2V	614.4V
Voltage range	224~284V	268.8~340.8V	313.6~397.6V	358.4~454.4V	403.2~511.2V	448~568V	492.8~624.8V	537.6~681.6V
Rated energy	25kWh	30kWh	35kWh	40kWh	45kWh	50kWh	55kWh	60kWh
Usable energy (90%DOD)	22.5kWh	27kWh	31.5kWh	36kWh	40.5kWh	45kWh	49.5kWh	54kWh
Max.charging/ discharging current	100A/100A	100A/100A	100A/100A	100A/100A	100A/100A	100A/100A	100A/100A	100A/100A
Weight	248kg	294kg	340kg	386kg	432kg	478kg	524kg	570kg
Dimension (W*D*H, mm)	440*410*1026	440*410*1197	1080*410*684	1080*410*855	1080*410*855	1080*410*1026	1080*410*1026	1080*410*1197
Cycle life	6000times (25°C, 0.5C/0.5C, 90%DOD, EOL70%)							
Communication	CAN/RS485/WiFi/ETH							
Expansion	Support in parallel up to 3 clusters							
Enclosure protection rating	IP20							
Cooling	Natural cooling							
Ambient temperature	Charge: 0-50°C							
	Discharge: -20-55°C							
Humidity	10%~95%RH							
Altitude	< 2000m							
Short circuit protection	Yes							
Over circuit protection	Yes							
Over charge protection	Yes							
Over voltage protection	Yes							
Over discharge protection	Yes							
Under voltage protection	Yes							
Over temperature protection	Yes							
Certifications	UN38.3/CE/IEC62619							
Module Parameter								
Module Model	B051100S02							
Module Rated voltage	51.2V							
Module Energy	5kWh							
Module Dimension (W*D*H)	443*410*135mm							
Module Weight	45kg							
Warranty	5 years*							
* DC Usable Energy, Test conditions: 100% DOD, 0.2C charge & discharge at 25°C.								
* Charge/discharge derating occurs when the operating temperature from -10°C to 5°C.								